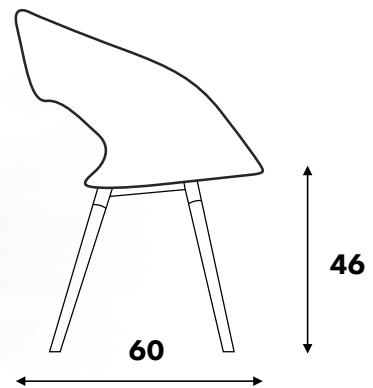
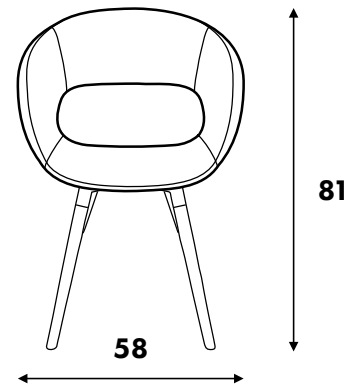


Maia collection

Maia offers a generous and sturdy presence, expressing itself through its exceptional silhouette. Created to blend unique design, comfort, and durability. With a wide range of wooden and metal bases, as well as fabric options, it offers versatility to seamlessly adapt to any space and meet individual preferences.



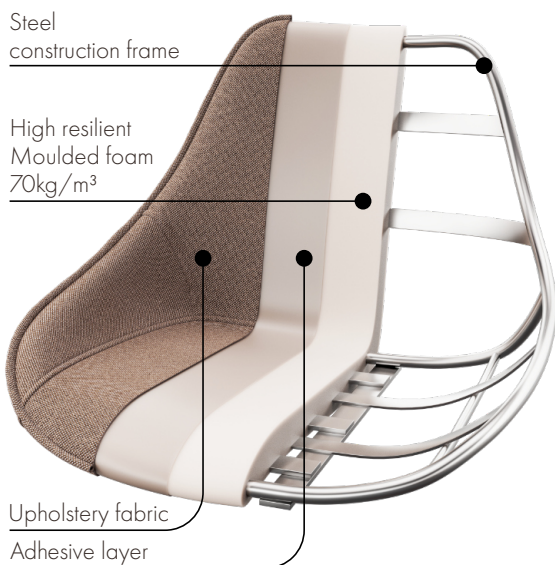
Technical sheet



Structure | ergonomic construction made of metal, moulded polyurethane foam with a density of 70 kg/m³ (+ - 5kg)

Warranty | 5-year warranty on the seat structure and foam

Fabric consumption | 1,38 m



Ergo**Curved**



Spring**Back**



Disassembled



Memo**Swing**



Steel**Framing**



Sustainability



Flex**Pure**



Anti**Scratch**



Made in Poland



Wide selection of wooden and metal bases

hundreds of different variants allow for adaptation to almost any interior



MPK



MRK



MPP



MRP



MGG



MGW



MGS



MGX



DGF



OWI



MRT



MGU



DTK



DTP



OFS



OFK